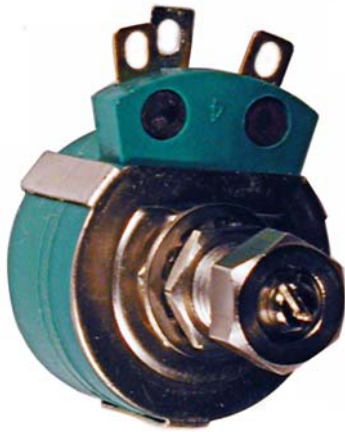


Series WW54

1.5 Watt Wirewound Potentiometers



Description

Series WW54

3/4 in. dia., 1 1/2 watt miniaturized potentiometer.
Available in single or dual units

Features

- *Nickel plated brass shaft and bushings*

Options

- *Locking bushings*
- *Stainless steel shaft*
- *Shaft & mounting seals*
- *Multiple gangs*
- *Concentric shafts*
- *PC Terminals*

Also Available...

RA10

Military version of the WW54 series meeting strict military standard MIL-R-19. 4 watt power rating.

Series WW54 Electrical Specifications

Resistance Range

15 Ω to 2.5K Ω . Linear taper standard

Resistance Tolerance

+/- 5% standard

Power Rating

Single section: 1.5 Watts @ 40°C; 0 @ 125°C

Additional sections: 3 Watts @40°C; 0 @ 105°C

Watts/Degree

.005 W per degree of effective rotation max.

Effective Rotation

300° +/- 5° standard

Electrical Rotation

300° +/- 5°

End Resistance

1 to 15 Ω - 5% total resistance

Over 15 Ω - 3% total resistance

Dielectric Withstanding Voltage

1000 Vac for 60 seconds @ ATM.

450 Vac for 60 seconds @ 3.44 in. Hg.

Working Voltage (Max.)

175 Vdc maximum

Insulation Resistance

100 Megohms minimum

Operating Temperature Range

-55 °C to 125 °C

Series WW54 Mechanical Specifications

Mechanical Rotation

300° +/- 5°

Torque Range

0.3 to 6 oz in. each section;

Locking type bushing: 20 oz. in. minimum with jam nut tightened to 8 lb. in.

Stop Torque

3 lbs. in. maximum

Figure 1. Power Derating Graph for Series WW54

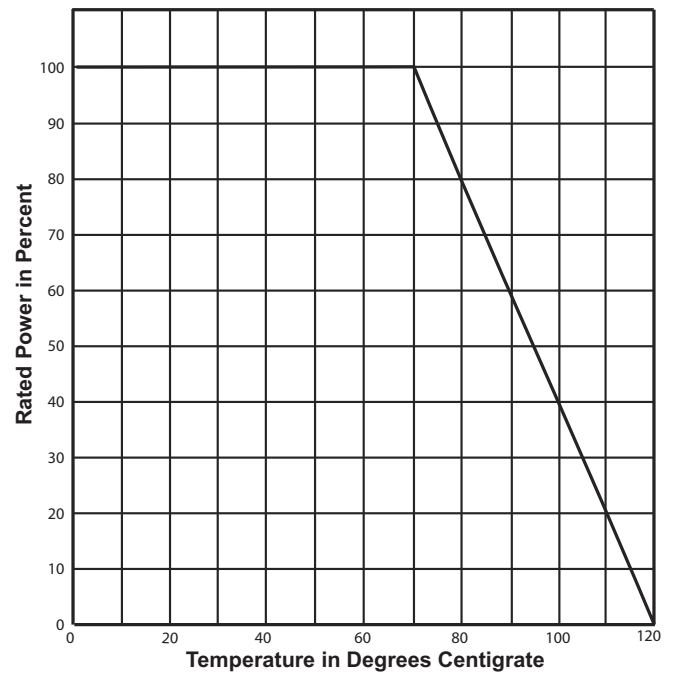
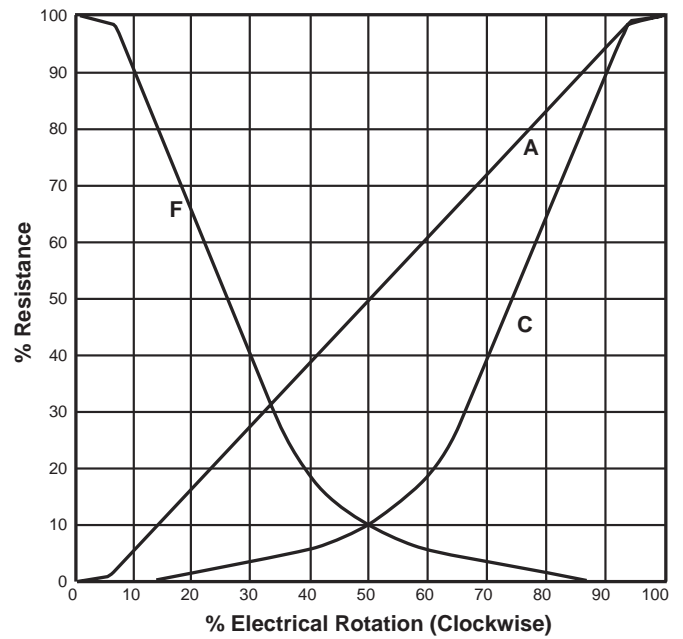
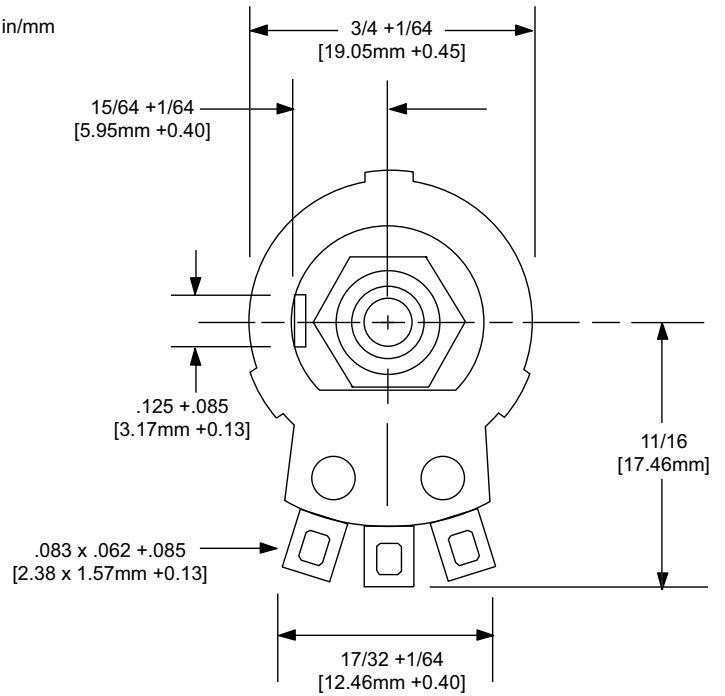
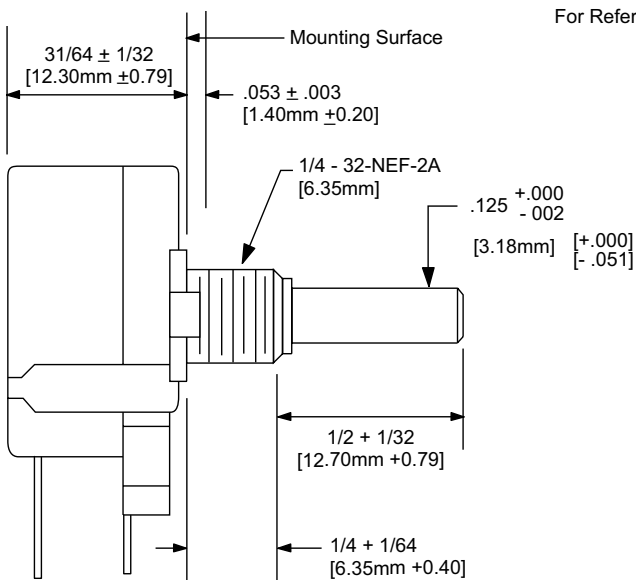
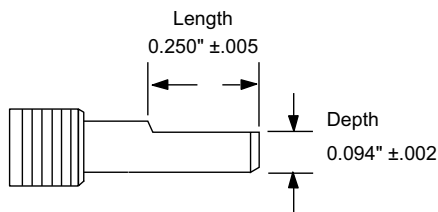


Figure 2. Linearity Graph for Series WW54



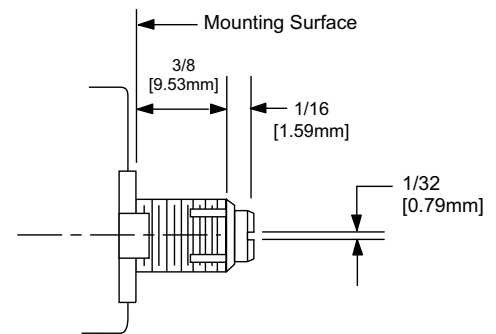


Flatted Shaft Option



Note:
Flatted Shaft is not available if
Locking Option is selected.

Locking Bushing Option



Series WW54 - How to Order

Part Number Example: **WW54-N-A-S040-503A**

WW54	N	A	S	XXX	XXX	A
Series	Shaft/Bushing	Switch	Shaft Style	Shaft Length	Resistance	Linearity
	N = Standard L = Locking	A = None	S = Slotted F = Flatted	032 = 1/2" 040 = 5/8" 056 = 7/8" 100 = 1" 108 = 1 1/8" 132 = 1 1/2" 148 = 1 3/4" 200 = 2"	15Ω-2.5KΩ	A = Linear C = Log F = Rev. Log



36 Route 10 East Hanover, NJ 07936
 (800) 631-8083 Local: (973) 887-2550
 e-Mail: sales@state-elec.com
<http://www.state-elec.com> <http://www.potentiometers.com>