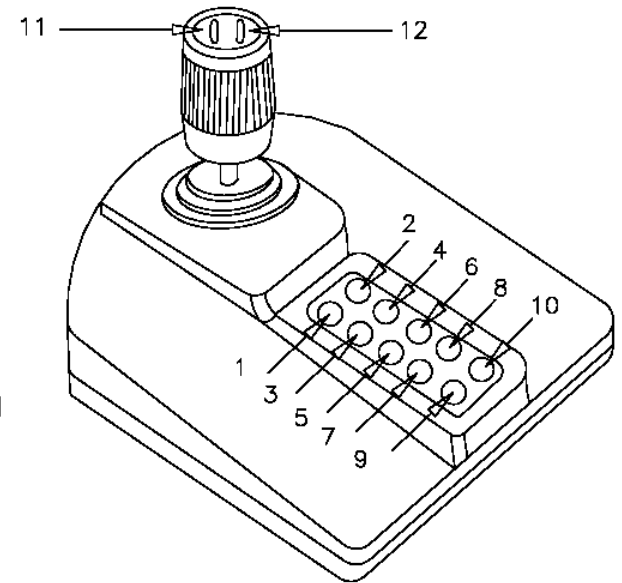


PHYSICAL SPECIFICATIONS

JOYSTICK MODEL ----- JHE13-KC2 SERIES
 JOYSTICK TRAVEL ----- ±18° FROM CENTER
 BREAKOUT FORCE ----- 0.109Nm
 OPERATING FORCE ----- 0.151Nm
 MAXIMUM FORCE ----- 0.169Nm
 OPERATING TEMPERATURE ----- -25°C TO +70°C
 CENTERING ----- SINGLE SPRING, OMNIDIRECTIONAL
 HOUSING ----- HIGH IMPACT GLASS-FILLED NYLON
 BODY COLOR ----- BLACK OR GREY
 LIFE CYCLES ----- 3,000,000



ELECTRICAL SPECIFICATION

SUPPLY VOLTAGE (USB BUS) ----- Vdd 5V ±.5V
 SUPPLY CURRENT (USB BUS) ----- 32mA MAX

SOFTWARE DRIVER FEATURES

CREATES A JOYSTICK/MOUSE COMBINATION DEVICE
 CREATES A FOURTH AXIS "R" THAT MAY BE USED
 FOR SHUTTLE/RECORDER FUNCTION
 ASSIGNS FUNCTIONS TO BUTTONS 1 AND 2
 BUTTON 1 TOGGLES BETWEEN "Z" AND "R" AXES
 BUTTON 2 TOGGLES BETWEEN "JOYSTICK" AND "MOUSE" MODES
 JOYSTICK MODE BUTTONS 3-12 AVAILABLE FOR ASSIGNMENT
 MOUSE MODE
 BUTTONS 11 AND 12 (LEFT AND RIGHT MOUSE BUTTONS)
 BUTTONS 3-10 AVAILABLE FOR ASSIGNMENT

TECHNICAL SPECIFICATIONS

THREE-AXIS, TWO BUTTONS HALL EFFECT JOYSTICK
 DESKTOP HOUSING FEATURES 10 PROGRAMMABLE BUTTONS
 STANDARD USB CONNECTOR AND INTERFACE
 OPTIONAL JOYSTICK/MOUSE COMBINATION SOFTWARE DRIVER

PHYSICAL DIMENSIONS

WIDTH ----- 6.15" (15.6cm)
 LENGTH ----- 6.65" (16.9cm)
 HEIGHT ----- 4.97" (12.6cm)

<p>TITLE JOYSTICK</p>	<p>PART NO. USBDESKTOP</p>	<p>STATE ELECTRONICS 36 Route 10, East Hanover, NJ 07936 (800) 631-8083 http://www.state-elec.com e-mail: tsutclif@state-elec.com</p>
--------------------------------	-------------------------------------	---