

EUP3200/3225

2 watts - 1.3 inch diameter



*Series EUP3200 and EUP3225 potentiometers feature
Conductive Plastic elements and thermoset plastic housing*

Features

- Conductive Plastic resistive element
- Thermoset plastic housing
- Nickel plated brass bushing
- Gold plated brass terminals
- Stainless steel shaft

Electrical specifications

Resistance Range

2K, 5K, 10K ohms standard

Resistance Tolerance

±20%

Independent Linearity

±2%

Electrical Rotation

EUP3200 - 350° ±4° (end stops)

EUP3225 - 340° ±4°

Power Rating

2 watts

Insulation Resistance

1000 Megohms @ 500VDC

Dielectric Strength

1000 VAC

Mechanical Specifications

Mechanical Rotation

EUP3200 - 340° ±5° (end stops)

EUP3225 - 360° Continuous rotation

Starting Torque

1.0 oz. in.

Running Torque

0.7 oz. in.

Stop Strength (EUP3100)

50 oz. in.

Bearing Type

Sleeve

Rotational Life

2,000,000 Turns rated

Environmental Specifications

Operating Temperature

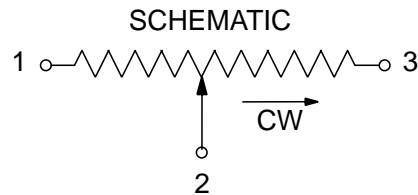
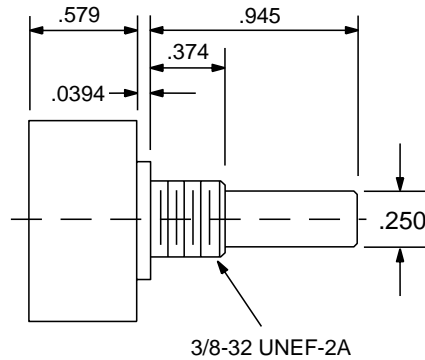
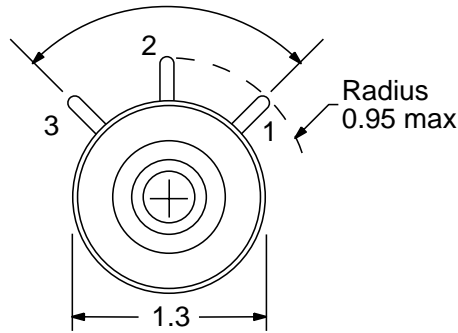
-35 °C to +105 °C

Temperature Coefficient

±600 PPM/°C

EUP3200/3225

2 watts - 1.3 inch diameter



Ordering Information

Example Part Number: **EUP3200-10K-IP**

EUP3200

Model

EUP3200 = 320° rotation
EUP3225 = Continuous rotation

10K

Resistance

2K = 2K ohms
5K = 5K ohms
10K = 10K ohms

IP

Options

R = Special resistance values
EA = Special electrical angles
SH = Special shafts
CT = Center Tap
RS = Rear Shaft Extension
2S = 2 Sections
3S = 3 Sections
IP = IP65 protection rating

On-line Quotations are available at <http://www.potentiometers.com>



36 Route 10 East Hanover, NJ 07936
 (800) 631-8083 Local: (973) 887-2550
 e-Mail: sales@state-elec.com
<http://www.state-elec.com> <http://www.potentiometers.com>