

EUP3100/3125

3 watts - 1.3 inch diameter



*Series EUP3100 and EUP3125 potentiometers feature
Wirewound elements and thermoset plastic housing*

Features

- Wirewound resistive element
- Thermoset plastic housing
- Nickel plated brass bushing
- Gold plated brass terminals
- Stainless steel shaft

Electrical specifications

Resistance Range

50 - 20K ohms standard

Resistance Tolerance

±10%

Independent Linearity

±1%

Electrical Rotation

EUP3100 - 270° ±5° (end stops)

EUP3125 - 350° ±5°

Power Rating

3 watts

Insulation Resistance

1000 Megohms @ 500VDC

Dielectric Strength

1000 VAC

Mechanical Specifications

Mechanical Rotation

EUP3100 - 280° ±5° (end stops)

EUP3125 - 360° Continuous rotation

Starting Torque

1.0 oz. in.

Running Torque

0.7 oz. in.

Stop Strength (EUP3100)

50 oz. in.

Bearing Type

Sleeve

Rotational Life

200,000 Turns rated

Environmental Specifications

Operating Temperature

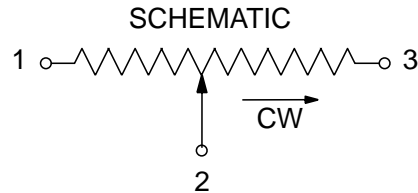
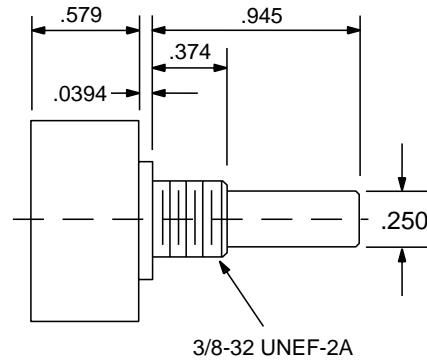
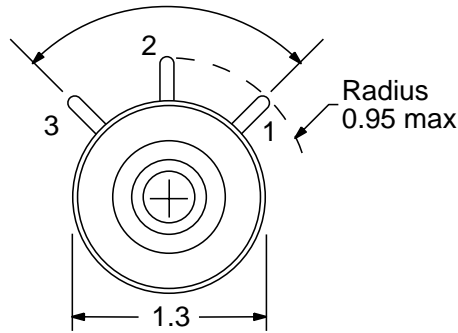
-35 °C to +105 °C

Temperature Coefficient

±400 PPM/°C

EUP3200/3225

3 watts - 1.3 inch diameter



Ordering Information

Example Part Number: **EUP3100-10K-IP**

EUP3100

Model

EUP3100 = 280° rotation
EUP3125 = Continuous rotation

10K

Resistance

50 = 50 ohms
100 = 100 ohms
200 = 200 ohms
500 = 500 ohms
1K = 1K ohms
2K = 2K ohms
5K = 5K ohms
10K = 10K ohms
20K = 20K ohms

IP

Options

R = Special resistance values
SH = Special shafts
EA = Special electrical angles
RS = Rear Shaft Extension
2S = 2 Sections
3S = 3 Sections
OC = Output Cable and Connectors
IP = IP64 protection rating

On-line Quotations are available at <http://www.potentiometers.com>



36 Route 10 East Hanover, NJ 07936
 (800) 631-8083 Local: (973) 887-2550
 e-Mail: sales@state-elec.com
<http://www.state-elec.com> <http://www.potentiometers.com>