

EUP1400/1425

3 watts - 1.58 inch diameter



*Series EUP1400 and EUP1425 potentiometers feature
Wirewound elements for long life and stability*

Features

- Wirewound resistive element
- Thermoset plastic housing
- Nickel plated brass bushing
- Stainless steel shaft

Electrical specifications

Resistance Range
50 to 10K ohms standard

Resistance Tolerance
 $\pm 10\%$

Resistance Taper
linear

Independent Linearity
 $\pm .75\%$

Electrical Rotation
EUP1400 - $270^\circ \pm 5^\circ$ (end stops)
EUP1425 - $270^\circ \pm 5^\circ$

Temperature Coefficient
 ± 150 PPM/ $^\circ\text{C}$

Power Rating
3 watts

Insulation Resistance
1000 Megohms @ 500VDC

Dielectric Strength
1000 VAC

Mechanical Specifications

Mechanical Rotation
EUP1400 - $285^\circ \pm 5^\circ$ (end stops)
EUP1425 - Continuous rotation

Starting Torque
1.0 oz. in.

Running Torque
0.7 oz. in.

Stop Strength (EUP120)
100 oz. in.

Bearing Type
Sleeve

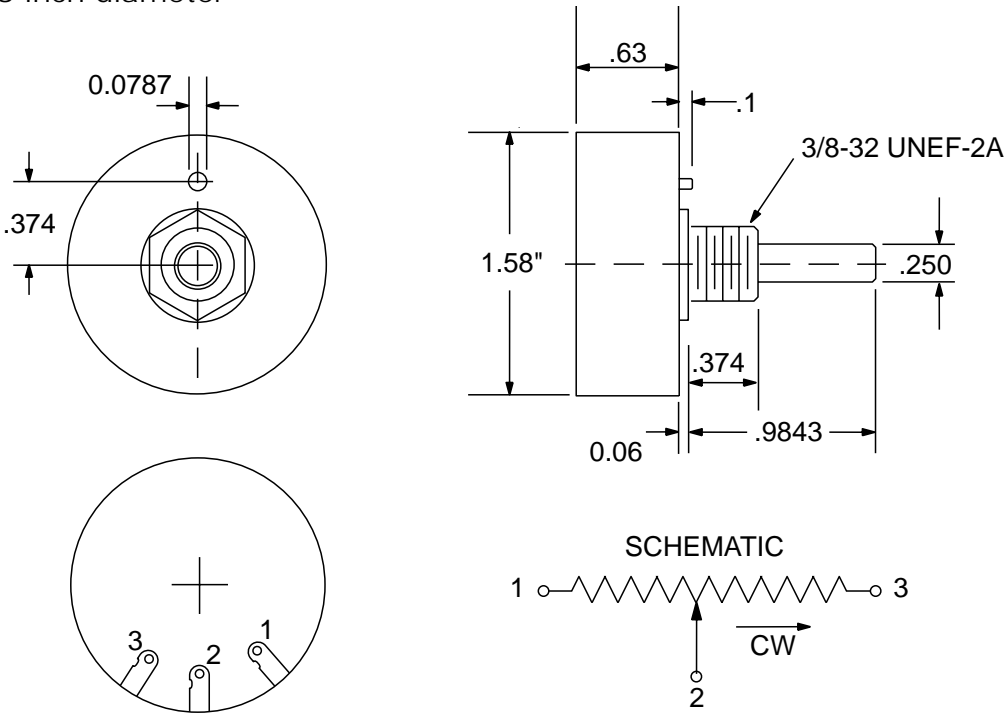
Rotational Life
100,000 Turns minimum

Environmental Specifications

Operating Temperature
 -35°C to $+105^\circ\text{C}$

EUP1400/1425

3 watts - 1.58 inch diameter



Ordering Information

Example Part Number: **EUP1400-10K-IP**

EUP1400

Model

EUP1400 = 320° rotation

EUP1425 = Continuous rotation

10K

Resistance

50 = 50 ohms

100 = 100 ohms

200 = 200 ohms

500 = 500 ohms

1K = 1K ohms

5K = 5K ohms

10K = 10K ohms

IP

Options

R = Special resistance values

SH = Special shafts

IP = IP64 protection rating

OC = Output cable and connectors

On-line Quotations are available at <http://www.potentiometers.com>



36 Route 10 East Hanover, NJ 07936

(800) 631-8083 Local: (973) 887-2550

e-Mail: sales@state-elec.com

<http://www.state-elec.com> <http://www.potentiometers.com>